

 **Darragh**

**NOV '24
JAN '25**

DIAMOND DECK



**CONCRETE ACCESSORIES, RED DIAMOND, WIRE
MESH, REBAR TIERS, ANCHORING, AND MORE!**



Helping jobs take shape

We rent, sell, & deliver concrete forming and shoring products

Services:

- Budget & design estimates
- Full job quotes
- Equipment rental
- Engineering services
- On-site training
- *And more!*



Region's Leading Fabricator

We provide precise rebar detailing, fabrication, & delivery to meet your project needs.

Services:

- Fabrication & cutting
- Custom rebar detailing
- Shearing & bending
- Software expertise
- *And more!*



Customize your concrete

WITH OUR *NEW* COLOR MACHINES!

1

CONTROL

- Easily manage multiple jobs
- Dispense pigments with a few clicks
- Ensure consistency

2

SPEED

- Fast & precise pigment dispensing
- Reduces delays
- Ensures quality and consistency

3

FLEXIBILITY

- We can adapt to any project size
- Allows custom mixes or high-volume orders with ease



WHY CHOOSE DARRAGH'S COLOR MACHINES?

Our color machines deliver unmatched control, precision, and flexibility to ensure efficient and high-quality concrete projects.

Bonding



BOND

1GAL (348075)



\$27.53

Was \$28.98

READY TO USE WELD

1GAL (436200)



\$30.08

Was \$31.66

Patching



\$26.95

Was \$28.37

CONCRETE REPAIR MORTAR

50lb (388030)



**JUST
ADD
WATER!**

\$33.49

Was \$35.25

FINE FINISH RESURFACER

40lb (384070)



\$52.30

Was \$55.05

DUO PATCH CEMENT GROUT

50lb (384060)

Cement and Cure & Seals

POURABLE ANCHORING CEMENT

50lb
(389100)

\$56.99

Was \$59.99

10lb
(389101)

\$38.00

Was \$40.00



CURE & SEAL 25

5GAL
(670300)

\$156.76

Was \$165.01



**READY
TO USE!**

Grout and Release



NON-SHRINK GROUT

50lb (383050)

\$11.99
Was \$12.62



FORM RELEASE AGENT

5 GAL
(348080)

\$60.37
Was \$63.55

55 GAL
(348090)

\$520.51
Was \$547.90



JUST ADD WATER!

\$22.08
Was \$23.24

PATCH 30- CONCRETE REPAIR MORTAR

40lb (384080)



JUST ADD WATER!

5GAL
(348050)

\$56.98
Was \$59.98

10lb
(348054)

\$38.00
Was \$40.00

PLUG FAST SETTING HYDRAULIC CEMENT MORTAR

CURE & SEAL 30

5GAL
(670350)

\$163.66
Was \$172.27



CURE & SEAL WB WATER BASED

5GAL (670200)

\$90.85
Was \$95.63



READY TO USE!

Curing Blanket



CURING BLANKET

10'x100'
(295003)

\$322.07
Was \$339.02

12'x25'
(295118)

\$98.16
Was \$103.33



ROLL ULTRA CURE BLANKET NCF

8'x200'
(295113)

\$360.06
Was \$379.01



Straw and Hay Blankets

SINGLE NET STRAW BLANKET

ETRS-1 (288030)
WINFAB (288101)

\$34.98
Was \$36.82

\$57.00
Was \$60.00



DOUBLE NET STRAW BLANKET

ETRS-2 (288031)

\$46.10
Was \$48.53



70% STRAW 30% COCONUT DOUBLE NET BLANKET

ETSC-7030
(288034)

\$97.70
Was \$102.84



NomaFlex

EXPANSION JOINTS

1" X 48" X 10'- (710049)
5" X 1/2" X 10'- (710043)
6" X 1/2" X 10'- (710044)
12" X 1/2" X 10'- (710046)



**MORE
SIZES IN
STOCK!**

CAP CUTTING TOOL

1/2" (479045)



Wire Mesh



THICK MESH WIRE ROLL

6x6x6x6 (311001)
6x6x10x10 (311002)



MESH WIRE SHEET

4x4x4x4 (310003)



MESH WIRE SHEET

6x6x6x6 (310001)
6x6x10x10 (310002)
4x4x6x6 (310004)
6x6x4x4 (310005)
6x6x8x8 (310006)
6x6x6x6 (310007)
6Dx6D (310010)

**MORE
SIZES IN
STOCK ON
ALL WIRE!**

Polyfilm

CLEAR POLYFILM

2MIL / 20'x200' (780001)
6MIL / 12'x100' (780005)
10MIL / 20'x100' (780007)

**MORE
SIZES IN
STOCK!**



BLACK POLYFILM

6MIL / 20'x100' (780006)
10MIL / 20'x100' (780010)

**MORE
SIZES IN
STOCK!**



Poly Meta Forms



POLY META FORMS STRAIGHT 10/BOX

4" X 12' - (356023) 869-450
6" X 12' - (356025) 869-650



POLY META FORMS FLEX RAD 10/BOX

4" X 12' - (356022) 869-420
6" X 12' - (356024) 869-620



Stake Pockets

SLIM LINE 3 POCKETS

4" (356020)
6" (356021)



TWIST STAKE POCKETS

30/BKT- (356027) 869-040



MULTI
STAKING
OPTIONS

SLIDE STAKE POCKETS

15/BKT- (356026)
869-025



EASY
TO LINK

Rebar



20' REBAR

#3 (358002)
#4 (358003)
#5 (358004)
#6 (358005)
#7 (358030)
#8 (358031)



STRAIGHT TIE BAR

#3 (360016) 1'-6"
#4 (360017) 1'-6"
#4 (360018) 2'-0"
#3 (360023) 2'-0"

Tie Wire



16GA PLASTIC COAT TIE WIRE

#3.5 (312005)



#3.5 TIE WIRE 16 GAUGE 20 BOX

IMPORT (312060)
DOMESTIC (312061)



TIE WIRE REEL LIGHT-WEIGHT ALUMINUM

(314001)



MAX Tiewire Rolls & Tools

21G TIEWIRE ROLL

(312013)



REBAR TWIN TIER KIT

(600185)



TIEWIRE 19 GAUGE STEEL

(312014)



Tie Wire Accessories

CRIMP DRIVE TIE WIRE ANCHORS

(581144)



EASY TO INSTALL!

BARTIES 16GA IMPORT 500 BUNDLE

4" (313001)
5" (313002)
6" (313004)
7" (313005)
8" (313006)

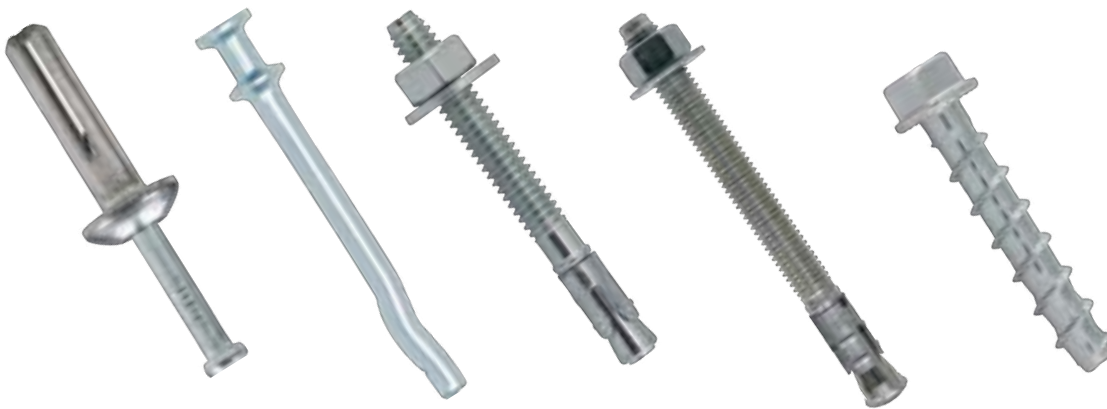


MORE SIZES IN STOCK!

Adhesive Anchoring Systems



Mechanical Anchoring Systems



**MORE
OPTIONS
IN STOCK!**

Adhesives, Tapes, Glue & Ties



Power Actuated Tools, Fasteners & Accessories

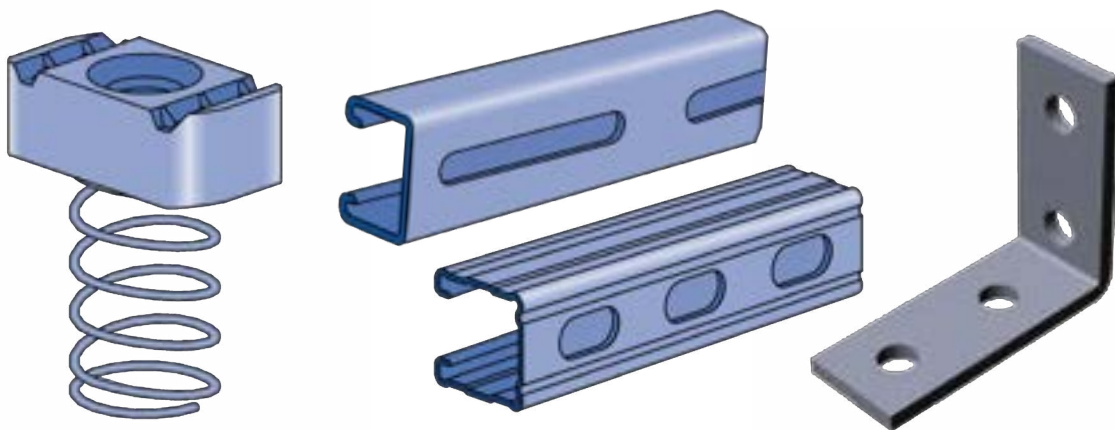


Anchor Bolts, Holddown & Bracing

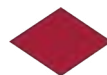


**MORE
OPTIONS
AND SIZES
IN STOCK!**

Nuts, Bolts & Accessories



Product Categories



Adhesives and Fasteners

Adhesive Anchoring Systems
Mechanical Anchors, & Systems
Adhesives, Tapes, Glue, & Ties
Anchor Bolts, Holddown, & Seismic Bracing
Nails, Screws, Brads, & Staples
All Thread, Acme, Rod, Bolts, Nuts, Washers, & Struts
Powder Actuated Tools, Fasteners, Accessories



Building Envelope-Building Materials

Access Doors, Hatches, Equipment Pads, & Walk Pads
Building Maintenance Chemicals, & Materials
Moisture Control - Air & Vapor Barriers
Fire Protection - Firestop Sealant, Coatings, Collars, & Wraps
Insulation - XPS, EPS, Polyiso, & Insulative Sheathing
Insulation - Spray-Foam
Insulation - Rolled Fiberglass, Wraps, & Tapes
Insulation - Mineral Wool
Wall Systems - Façade Materials & Accessories



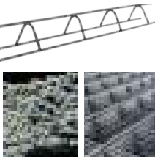
Concrete Accessories

Concrete Admixtures & Treatments
Concrete Bonding & Primers
Restoration And Protective Chemicals
Concrete Cleaners, Coatings, Overlays, & Surface Preparation
Concrete Control Joints, Expansion Joints, & Waterstops
Decorative-Color, Releases, Hardeners, Sealers, Stains
Concrete Residential Foundation Misc. Accessories
Concrete Grouts & Repair Mortars
Cement
Concrete/Masonry Pre-Mix & Aggregates
Concrete Vapor Barriers Under-Slab
Form Release
Concrete Curing And Sealing
Evaporation Retarders And Finishing Aids
Hardeners & Densifiers
Polyfilm - Plain & Reinforced



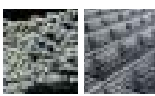
Concrete Forming

Fiber Forming-Void Forms & Sonotube
Forming Lumber, Plywood, Sheathing, & Composites
Light Duty Wood Forming Systems, Ties, & Accessories
Handset Steel Frame Plywood Face Form Systems
ICF Insulated Concrete Forms & Accessories
Tilt-Up/Precast Anchors, Braces, Metal Forms, & Chemicals
Heavy Duty Gang Form Systems, HD Ties, & Accessories
Bridge Deck Forms & Accessories
Residential Form Systems, & Accessories



Concrete Reinforcement

Bar Supports Metal, Plastic, Cementitious
Dowels & Dowel-Baskets & Accessories
Rebar Standard-Metal
FRP Rebar (Fiberglass Reinforced Polymer)
Tie Wire, Bar Ties, Tying Tools, Rebar Benders, & Accessories
Wire Mesh Rolls, Sheet Mesh, FRP Mesh, & Specialty Wire



Caulks & Sealants

Asphalt-Sealers, Emulsions, & Repair
Backer Rod, Denver Foam,
Flexible Foam, & Accessories
Silicone Sealants
Joint Sealants & Fillers
Expansion Joint Systems - Highway, Bridge, Architectural



Equipment & Accessories

Air Compressors & Accessories
Site Compaction & Demolition Equipment
Concrete Placement Equipment
Concrete Sawing & Coring Equipment
Concrete Finishing Equipment
Heaters
Pressure Washers & Pumps
Generators & Accessories
Outdoor Landscape & Maintenance Equipment



Geosynthetics & Erosion Control

Geogrids
Geotextile Fabrics - Woven & Non-Woven
Stormwater Solutions



Power Tools

Combo Kits
Welding Equipment
Batteries & Chargers
Vacuums & Dust Extractors
Heat Guns
Outdoor Power Tools
Power Tool Caulking, Lubrication & Sealing
Cutters
Drills
Grinders
Multitools
Nailers & Staplers
Saws
Threaders
Pressure Washers & Sprayers
Inflators & Pumps
Rotary Hammers & Demolition Tools



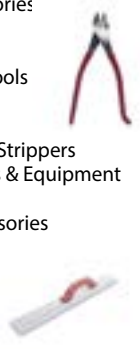
Tool Accessories

Bits
Wood & Metal Drilling
Concrete Drilling Accessories
Taps & Dies
Tool Tethers
Concrete Finishing Tools & Accessories
Grinding
Saw Blades
Sockets
Specialty Accessories
Caulking & Adhesive Accessories
Sprayer Wands And Accessories



Hand Tools

Landscape Tools, Wheelbarrows, & Accessories
Staplers, Tackers, & Rivet Tools
Concrete & Masonry Tools & Accessories
Crimping, Bending, Prying, & Alignment Tools
Cutting, Filing, Sanding, & Sawing
Clamps, Channel Locks, Vises, & Vise Grips
Electricians Bending, Crimping, Cutters, & Strippers
Electricians Meters, Testing, & Pulling Tools & Equipment
Leveling, Measurement, & Marking
Sockets, Ratchets, Wrenches, Sets, & Accessories
Pounding, Prying, & Demolition Wrecking
Caulking & Grease Guns,
Caulk Finishing Tools & Accessories
Screwdrivers, Nut Drivers, & Hex Keys
Pneumatics Tools & Accessories
Pipe Tools, Cutters, Threaders,
Wrenches, & Accessories



Jobsite Layout and Supplies

Shop Equipment-Hydraulic Tools
Pneumatic Tools & Pipe Tools
Electrical-Lighting, Extension Cords
Generators, Temporary Power
Ladders, Lifts, & Access Equipment
Maintenance-Building, Landscape,
Vehicle, & Weather Protection
Jobsite Layout-Measure, Marking, Survey, & Security
Site Storage-Tools & Equipment Bags, Boxes, Chests, & Racks
Material Handling-Carts, Bins, Lifting, Jacks, & Strapping
Rigging Lifting, Rope, Chain, Ratchets, & Tie Downs



Masonry Hardscape & Accessories

Masonry Building Materials & Supplies
Masonry Cleaners, Coatings & Treatments
Masonry Anchors & Ties
Masonry Reinforcement
Masonry Moisture Control-Flashing
Drainage Systems
Masonry Joint Materials
Masonry Material Handling & Placement Tools, & Equipment
Masonry Construction & Restoration Tools
Masonry Weather Protection
Hardscape Materials & Accessories



Safety

Tactile Warning Systems
Personal Protective Equipment
Traffic Safety - Fence & Barriers
Surface Protection & Tarps
Fall Protection
Security, Testing, & Communication



Waterproofing, Damp-proofing, & Drainage

Air & Vapor Barriers
Bentonite Products
Waterproofing Drainage & Protection
Waterproofing Damp Proofing Materials
Site Drainage
Trench Drain Systems & Grates



Contractor Warehouse - Maintenance Shop

Chemicals & Lubrication
Cleaning & Janitorial
Fleet & Vehicle Maintenance
Paint & Painting Supplies
Pipe Tools & Accessories
Hydraulics & Accessories
Electrical, Lighting, & Electronics



SHOP ONLINE PICK UP IN STORE